

Activity 9

Greeting Cards

Part of being a good citizen is to show others that you care. One way of showing that you care is to send a card for a special occasion, or for no occasion at all. The cards are even more special if you make them yourself.

Supplies

- several pieces of heavy card stock, about 11 in. \times 7 in. (28 cm \times 18 cm)
- decorative paper, such as gift wrap
- construction paper in solid colors
- sequins
- glitter
- narrow ribbons or flat decorative cord
- colored markers
- glue
- punch for making holes in card stock
- *optional:* stencils

Patchwork Card Directions:

1. Fold the card stock in half, aligning the edges.
2. Cut the decorative paper into squares, triangles, rectangles, or other regular shapes.
3. Place the pieces of decorative paper in a patchwork pattern on the front of the card, leaving a $\frac{1}{2}$ -in. (1.3-cm) border around the edge. **See Fig. 9-1.**
4. Put glue on the back of each decorative piece and glue it to the front of the card in the pattern you have chosen.

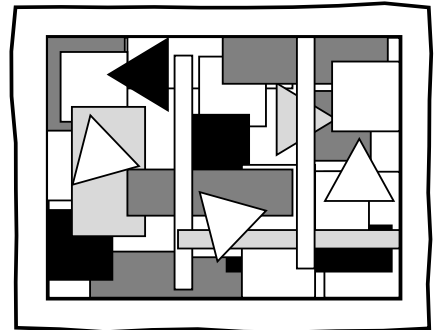


Fig. 9-1

(Continued on next page)

Activity 9 *continued*

Sequin Card Directions:

1. Fold the card stock in half, aligning the edges.
2. Draw a picture or pattern on the front of the card, or use a stencil and trace a pattern.
3. Run a light layer of glue over the lines you drew. **See Fig. 9-2.**
4. Place sequins over the glue, following the pattern. **See Fig. 9-3.**
5. You might prefer to create the picture on solid construction paper. After you have glued the sequins, cut out the picture. Then glue it to the front of the card, leaving a $\frac{1}{2}$ -in. (1.3-cm) border around the edge.

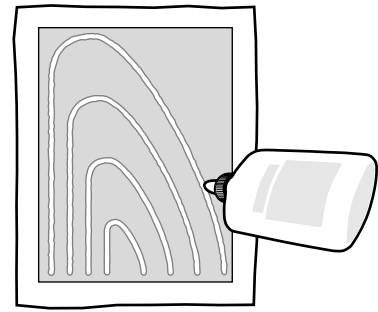


Fig. 9-2

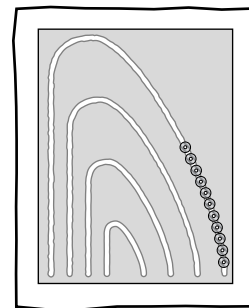


Fig. 9-3

Glitter Card Directions:

1. Fold the card stock in half, aligning the edges.
2. Cut three strips of decorative paper to fit on the front of the card, leaving $\frac{1}{4}$ in. (6 mm) of space between strips and $1\frac{1}{2}$ in. (3.8 cm) around the outside edges.
3. Choose random areas on the strips of decorative paper and run a small amount of glue over them. **See Fig. 9-4.**
4. Cover the glue with glitter, then shake the excess in a trash can. This will highlight the paper design. Allow the strips to dry.
5. Glue the strips in place on the front of the card. **See Fig. 9-5.**

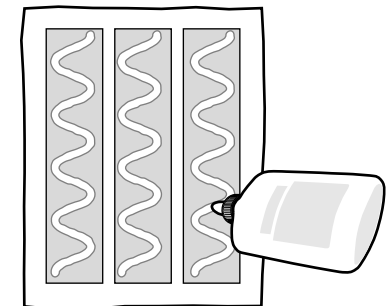


Fig. 9-4

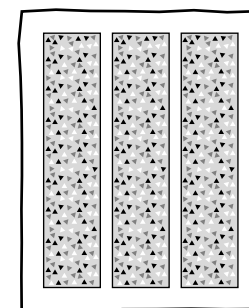


Fig. 9-5

(Continued on next page)

Activity 9 continued

Ribbon Card Directions:

1. Fold the card stock in half, aligning the edges.
2. Use a paper punch to punch holes around the perimeter of the card front, about $\frac{3}{4}$ in. (2 cm) from the edge. **See Fig. 9-6.**

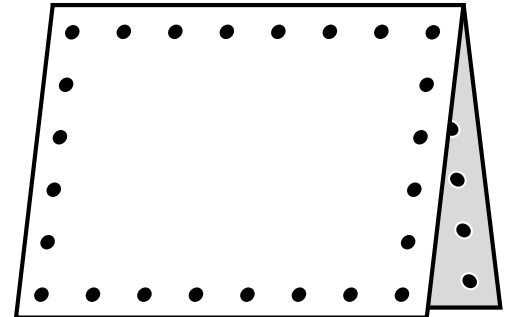


Fig. 9-6

3. Thread narrow ribbon or flat cord through the punch holes and around the edges. Tie the ends of the ribbon, creating a bow on the front of the card. **See Fig. 9-7.**

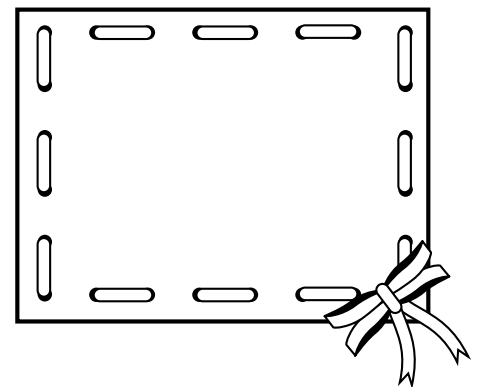


Fig. 9-7

General Tips:

1. Use colored markers to write a greeting on the inside of your cards.
2. Purchase envelopes in the correct size from a stationery store or drug store.
3. Send your cards to people you care about.