

Activity 4

Decorative Gift Bags

Do you enjoy giving small gifts to your friends on birthdays and other special occasions? Here's an inexpensive idea for wrapping your gifts. Use plain brown or white paper bags and dress them up to make special gift bags.

Supplies

- plain brown or white paper bags
- decorative-edge scissors
- construction paper
- decorative paper, such as wrapping paper
- glue
- glitter
- tissue paper

Directions:

1. Use decorative-edge scissors to cut out a rectangle from the construction paper that is at least 2-in. (5-cm) smaller all the way around than the bag front. **See Fig. 4-1.**

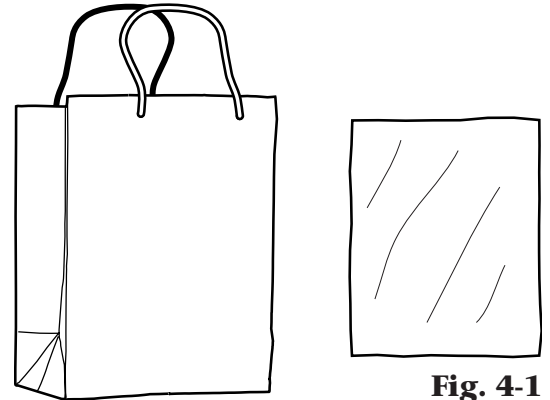


Fig. 4-1

2. Cut a rectangle from the decorative paper. This rectangle should be smaller all the way around than the construction paper rectangle. Glue the decorative paper rectangle to the construction paper rectangle. **See Fig. 4-2.**

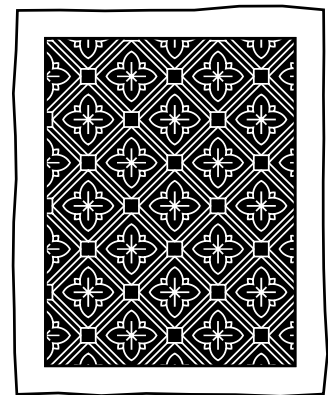


Fig. 4-2

Activity 4 *continued*

3. Decorate the decorative paper rectangle with glitter, using glue to secure the glitter. Allow the glue to dry thoroughly.
4. Glue the back of the construction paper rectangle to the front of the paper bag. **See Fig. 4-3.**

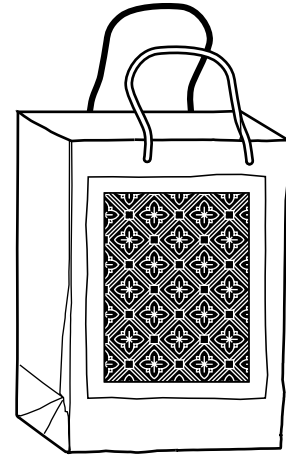


Fig. 4-3

5. Choose tissue paper that coordinates with the colors used on the front of your gift bag. Wrap your gift loosely in the tissue paper, and place it in the bag. Allow some of the tissue paper to stick out of the top of the bag. **See Fig. 4-4.**

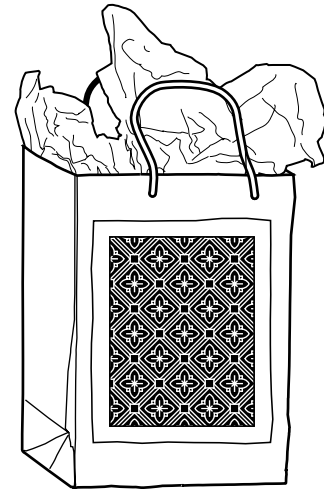


Fig. 4-4

Activity 5

Decorative Picture Frames

Celebrate friendship by creating decorative picture frames to showcase some of your favorite photos. Choose photos that will remind you of fun times you have spent with your friends.

Supplies

- heavy cardboard or foam core board
- hot glue gun
- buttons, beads, flat marbles, or other decorative items
- adhesive-backed magnetic tape
- masking tape

Directions:

1. Trace the pattern on the next page onto the cardboard or foam core board.
2. Cut out the frame pattern. **See Fig. 5-1.**
3. Use a hot glue gun to glue buttons, beads, flat marbles, or other decorative items to the frame. **See Fig. 5-2.**
Note: Be careful—the tip gets very hot.
4. Glue four 1-in. (2.5-cm) pieces of magnetic tape to the back of the frame, one on each side.
5. Place your favorite photo in the frame and secure it on the back with masking tape.
6. Hang the framed photo in your locker or on your refrigerator at home.

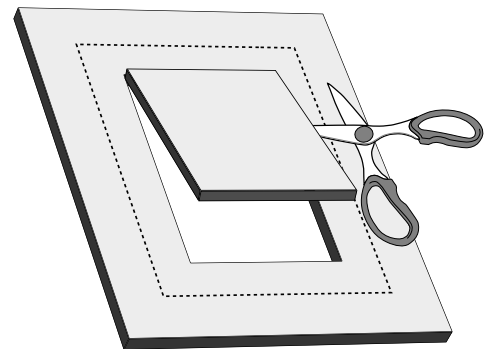


Fig. 5-1

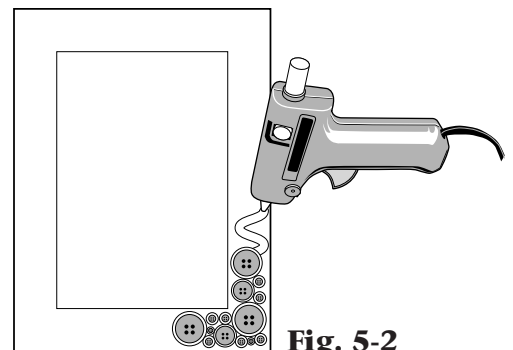


Fig. 5-2

Activity 5 *continued*

