

# Sewing Lab 2

## Fabric Gift Bags

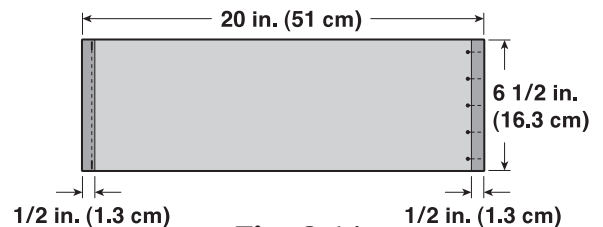
### Flat Gift Bag

#### Supplies

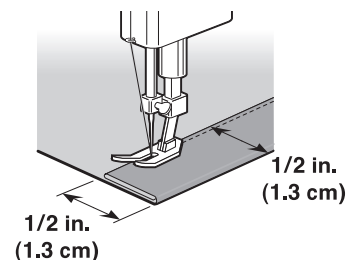
- $\frac{1}{4}$  yd. (0.23 m) of print fabric
- Thread to match fabric
- 15 in. (38 cm)  $\frac{1}{2}$  in.-wide (1.3 cm-wide) ribbon
- Chalk pencil
- Shears

**Directions:** Complete the following steps to cut out and sew a flat gift bag. You can adjust the size to fit almost any object.

1. With a chalk pencil, mark a 22-in.  $\times$  6 $\frac{1}{2}$ -in. (56-cm  $\times$  16.3-cm) strip of fabric.
2. Cut the strip out of the fabric.
3. Turn under the short ends  $\frac{1}{2}$  in. (1.3 cm) to the wrong side and press.
4. Turn under the short ends  $\frac{1}{2}$  in. (1.3 cm) again and press.
5. Pin the hems perpendicular to the stitching line.
6. Machine stitch hems in place close to the inside folded edge. *Note:* Remove the pins before you stitch over them for safety.
7. Fold the fabric with right sides together, matching the top hems and long edges.
8. Pin the seam allowances (long edges) perpendicular to the stitching line.
9. On one seam, use a chalk pencil to mark a dot 3 in. (7.5 cm) from the top hem edge.
10. Machine stitch the first seam (without the marking dot) using a  $\frac{1}{2}$ -in. (1.3-cm) seam allowance. Backstitch at the beginning and end of the seam. Remove the pins as you sew.
11. Machine stitch the second seam using a  $\frac{1}{2}$ -in. (1.3-cm) seam allowance. Stop 3 in. (7.5 cm) from the top edge in the second seam allowance. **See Figs. 2-1A and 2-1B.** Leave the presser foot and fabric in place.



**Fig. 2-1A**

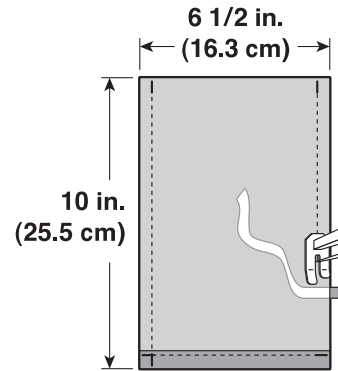


**Fig. 2-1B**

(Continued on next page)

## ***Sewing Lab 2 continued***

- 12.** Cut a 15-in. (38-cm) length of ribbon and fold it in half.
- 13.** Insert the machine needle into the fabric and lift the presser foot.
- 14.** Place the folded end of the ribbon in the seam allowance, sandwiching the ribbon in between the layers of the rectangle.  
**See Fig. 2-2.**
- 15.** Continue machine stitching to the top edge. Backstitch to secure the seam.
- 16.** Use pinking shears to trim and finish the seam allowances to  $\frac{1}{4}$  in. (6 mm).
- 17.** Turn the bag right side out, pulling out the corners and smoothing the seams. Press if needed.
- 18.** Trim the ribbon ends diagonally to prevent raveling.



**Fig. 2-2**

(Continued on next page)

## Sewing Lab 2 *continued*

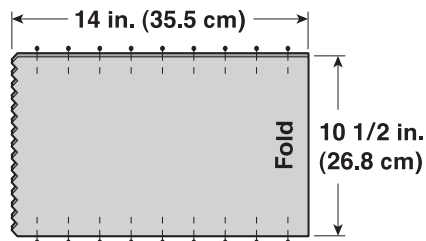
### Stand-Up Gift Bag

#### Supplies

- $\frac{1}{3}$  yd. (0.3 m) of print fabric
- Thread to match fabric
- Chalk pencil
- Cardboard
- Shears

**Directions:** Complete the following steps to sew a stand-up gift bag.

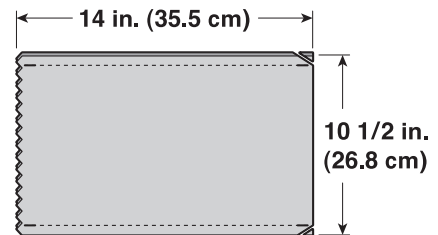
1. With a chalk pencil, mark a  $10\frac{1}{2}$ -in.  $\times$  28-in. (26.8-cm  $\times$  71-cm) rectangle of print fabric.
2. Cut the rectangle out of the fabric.
3. Trim the short edges with pinking shears to finish the edges.
4. With right sides together, fold the rectangle in half, matching long and short edges.
5. Pin the seam allowances (long edges) perpendicular to the stitching line. **See Fig. 2-3.**



**Fig. 2-3**

6. Machine stitch in place using a  $\frac{1}{2}$ -in. (1.3-cm) seam allowance. Backstitch to secure the beginning and end of each seam. Remove the pins before you sew over them.

7. Trim the bottom seam corners of the seams at an angle. **See Fig. 2-4.** *Note:* Be careful not to cut through the stitching.

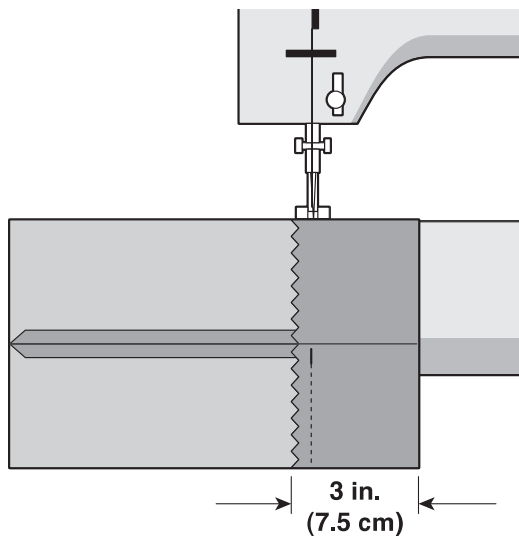


**Fig. 2-4**

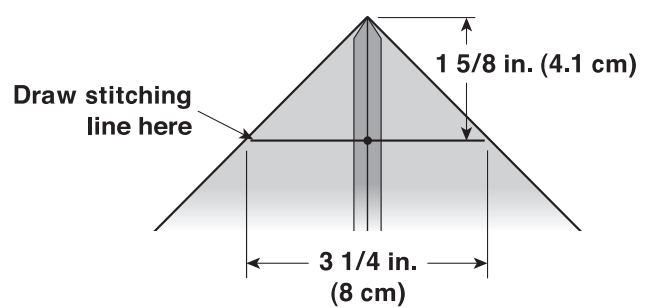
8. Press the seams open.
9. Roll the top edge of the bag down 3 in. (7.5 cm) to the wrong side, matching the seam allowances. Press and then pin the hem in place perpendicular to the stitching line.
10. Machine stitch the hem in place close to the inside finished edge. **See Fig. 2-5 (page 10).** *Note:* To make stitching the hem easier, slip the open end of the bag over the free-arm of your sewing machine and stitch.

(Continued on next page)

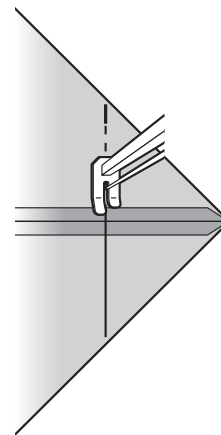
## Sewing Lab 2 continued



**Fig. 2-5**

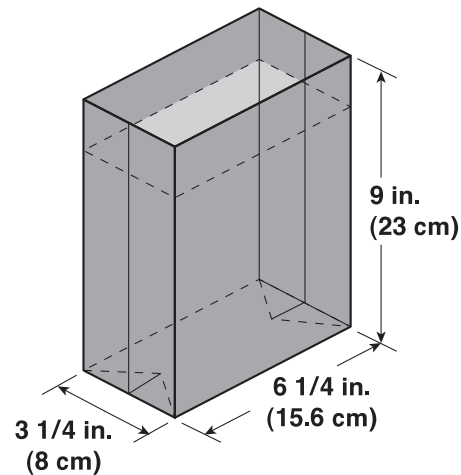


**Fig. 2-6A**



**Fig. 2-6B**

11. To square off the corners of the bag, fold the bag diagonally at each corner so that seams and center-bottom of the bag meet to create a triangle. *Note:* Be sure the seam allowances are centered in the triangles.
12. Measure  $1\frac{5}{8}$  in. (4.1 cm) from the point of the triangle on the seam line and mark this point with a chalk pencil. At this point, draw a line across the fabric to form the bottom of the triangle. The line should be  $3\frac{1}{4}$  in. (8 cm) in length.
13. Pin and stitch  $3\frac{1}{4}$  in. (8 cm) across the triangles, backstitching at the beginning and end of the triangles. **See Figs. 2-6A and 2-6B.**
14. Press the triangles flat.
15. Turn the bag right side out.
16. Cut a piece of cardboard  $6\frac{1}{4}$  in.  $\times$   $3\frac{1}{4}$  in. (15.6 cm  $\times$  8 cm) to fit the bottom of the bag. **See Fig. 2-7.**



**Fig. 2-7**