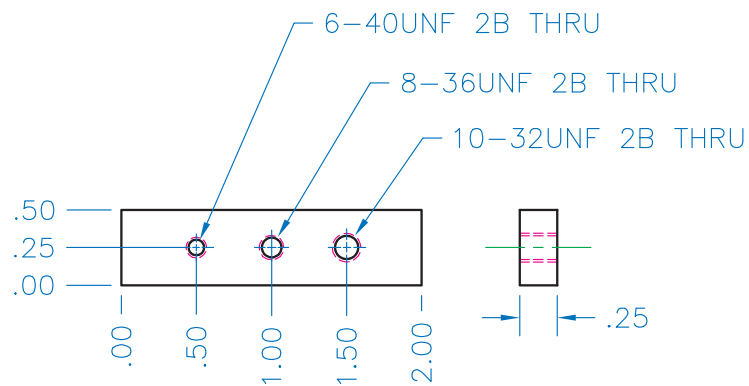


AutoCAD LT Problem 12-1

Chapter 12: Threads, Fasteners, and Tolerancing

Block with Screw Holes

Create the two-view projection of the block shown below.

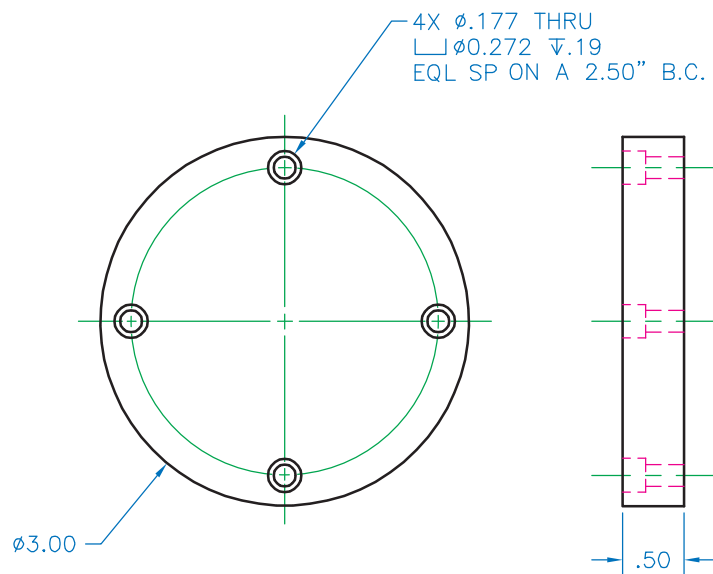


AutoCAD LT Problem 12-2

Chapter 12: Threads, Fasteners, and Tolerancing

Cover Plate

Create the two-view projection of a cover plate as shown below.



AutoCAD LT Problem 12-3

Chapter 12: Threads, Fasteners, and Tolerancing

Tooling Block

Create a two-view projection of a tooling block as shown below. Use metric dimensions.

