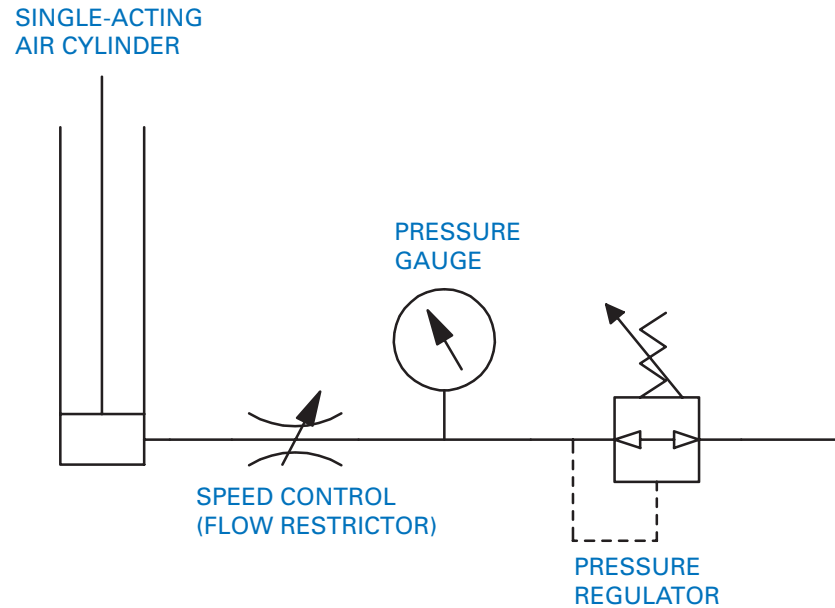


AutoCAD LT Problem 11-1

Chapter 11: Pipe Layout

Single-Acting Cylinder

Create the pneumatic diagram of the single-acting cylinder shown below. Use DesignCenter for the pneumatic symbols or create your own symbol library.

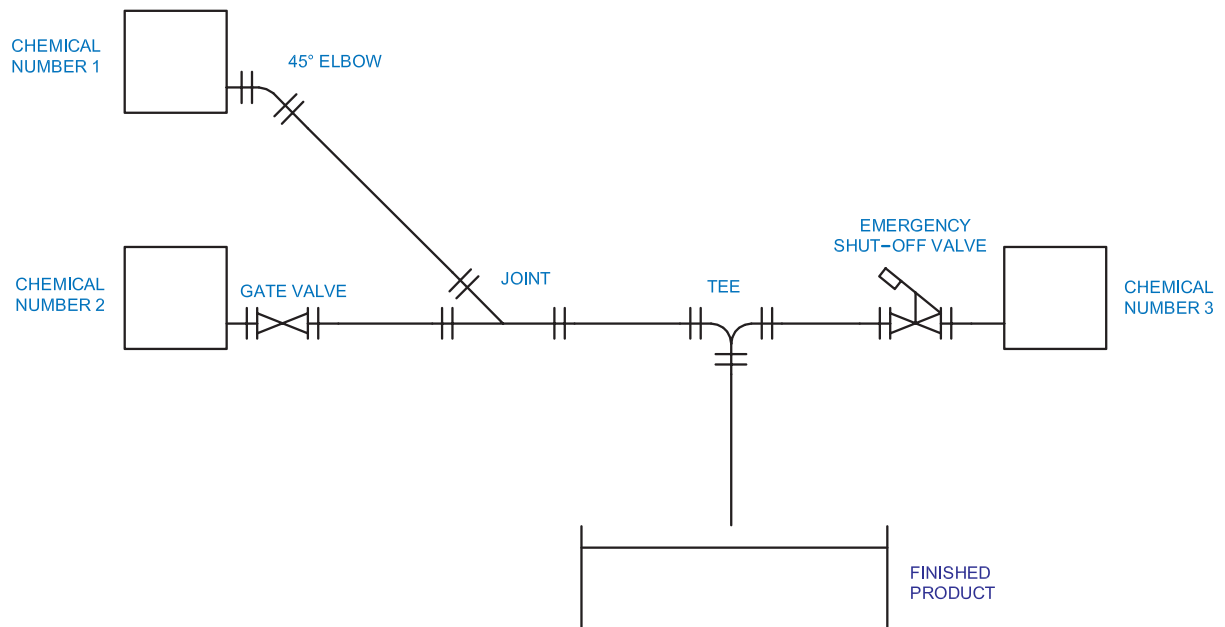


AutoCAD LT Problem 11-2

Chapter 11: Pipe Layout

Chemical Pipeline

Create a single-line pipe drawing similar to the one shown below.





AutoCAD LT Problem 11-3

Chapter 11: Pipe Layout

Pipe System

Create a single-line drawing of the pipe system shown below.

